

# HEDO+



Area and site lighting series. Fixtures consist of:

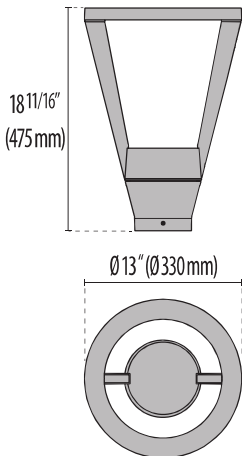
- Multi-step powder-coat painting process, optimized against UV rays and corrosion.
- Copper-free precision die-cast aluminum housing and top cap.
- Custom molded, anti-aging gasket(s).
- Micro-prismatic patterned, tempered, silk-screened, flat glass diffuser.
- Stainless steel external hardware.
- Custom MCPCB utilized to maximize heat dissipation and promote a long LED life.
- IESNA Type V light distribution.
- Input voltage: 120-277 V (50 / 60 Hz), integral 0-10 V dimming driver.
- Integral surge protector can withstand up to 10 kV transient line surge.
- Pre-wired factory sealed cable for external electrical connection included.
- Consult factory for dimming options, marine-grade,

- custom finishes (please specify RAL color), and non-cataloged CCT (Kelvin) options including static colors.
- Consult factory for custom pre-wired factory sealed cable length options.
- Consult factory for pole information.
- Consult factory for wall bracket accessory, multi-head pole top mounting, and other custom options.
- Product meets Buy American Act requirements within ARRA.
- 5-year warranty.
- Marine Grade finish.
- Suitable for Natatorium applications.



## FINISHES

- AN-96 / Iron gray / Textured
- BK-81 / Black / Textured
- GR-94 / Aluminum metallic / Textured
- WH-87 / White / Textured
- RB-10 / Iron rust / Textured



Lumen Output	3K	4K
Hedo+ 7W	624	644
Hedo+ 23W	2080	2145
Hedo+ 35W	3171	3269



Scan here  
for installation  
instructions

# Order Guide - Hedo



Order code example

**Hedo-35-T5-AM-3K-120-NA**

**HEDO-**

Wattage	Optics	Finish	Kelvin	Voltage	Controls	Accessories
<b>7</b> 7 watt (min)  <b>23</b> 23 watt  <b>35</b> 35 watt (max)  <b>XX</b> Specify Wattage Must be below max	<b>T5</b> Type 5	<b>AM</b> Aluminum Metallic  <b>IG</b> Iron Gray  <b>IR</b> Iron Rust  <b>BK</b> Textured Black  <b>WH</b> Textured White  <b>CC</b> Custom Color	<b>3K</b> 3000K  <b>4K</b> 4000K	<b>UNV</b> 120-277V	<b>NA</b> Non Dimming  <b>0-10V</b> 0-10V Dimming  <b>ELV</b> ELV Dimming	<b>4"Adaptor</b> 4 Inch pole adaptor  <b>GFCI</b> Pole mounted GFCI  <b>BOL</b> Bollard 54"  <b>BABAA</b> Build America Buy America Act compliant   Poles available as an accessory (ordered separately) see below for details

80 CRI STANDARD - OTHER OPTIONS AVAILABLE

Performance in Lighting reserves the right to make all necessary changes without prior notice.

Performance in Lighting - 2621 Keys Pointe - Conyers, Georgia 30013 - USA - voice 770.822.2115 - info.usa@pilighting.com  
www.performanceinlighting.com

Revision 09  
06/24

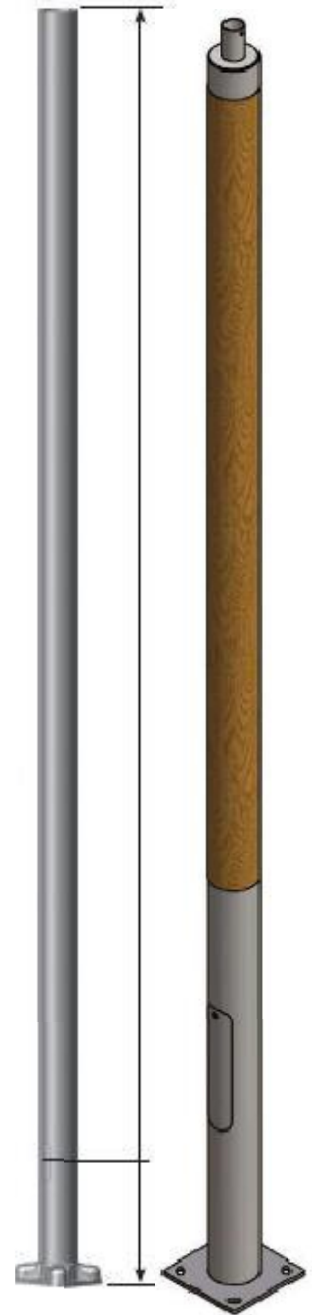
# OPTIONAL ACCESSORIES (ordered separately)

## POLES FOR HEDO+

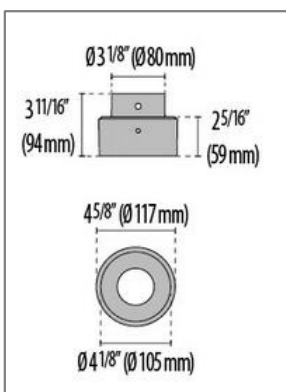
When ordering, please specify quantity of fixtures per pole as well as installation location (city & state)

Order code example: 714 16 30 4

Material	Height (ft)	Pole Diameter (in)	Custom Options (blank is standard)	Finish (additional characters may follow for factory information)
714 Aluminum*	08 8' tall	30 Ø3.0"	DBx Direct Burial** (x = depth below grade, measured in feet)	1 Aluminum Metallic
715 Steel*	10 10' tall	40 Ø4.0" (adaptor required*)		2 Black
716 Wood*	12 12' tall		GFCI integrated GFCI outlet**	3 Iron Gray
	14 14' tall			4 Iron Rust
	20 20' tall			5 White
	40 40' tall			6 Custom Color (specify RAL#)
*Based on EPA and wind loads, pole may need to be tapered or require a tenon.	Custom heights available, contact factor for details. Some restrictions apply for wood poles.			W1 Wood - Caramel - smooth
			**some options not available with wood poles - contact factory for details.	W12 Wood - Vanilla - brushed
				For more, see below.



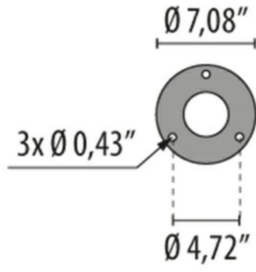
\*For Ø4" poles, an adaptor is required: 3111179



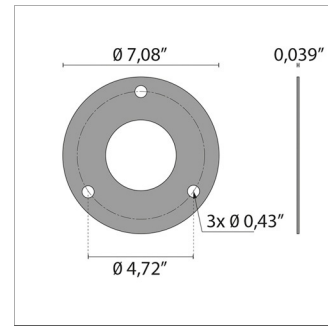
Base cover shape and bolt circle diameter (BCD) will vary based on pole size and vendor. Contact factory for details related to your project.

WOOD GRAIN FINISH OPTIONS:			
W1	CARAMEL	W11	SLATE
W2	VANILLA	W12	CINNAMON
W3	COCOA	W13	TOPAZ
W4	SAFFRON	W14	ONYX
W5	NUTMEG	W15	
W6		W16	
W7		W17	
W8		W18	
W9		W19	

54" OAH



TEMPLATE/FIXING PLATE



9395