

HEDO+ FT



Area and site lighting series. Fixtures consist of:

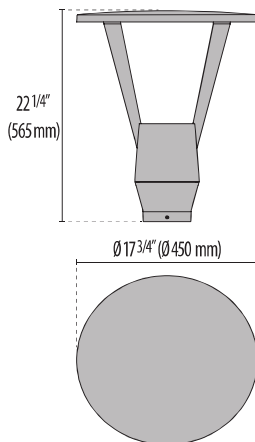
- Multi-step powder-coat painting process, optimized against UV rays and corrosion.
- Copper-free precision die-cast aluminum housing and top cap.
- Custom molded, anti-aging gasket(s).
- High-transmittance transparent optics.
- Extra-clear, tempered, silk-screened, flat glass diffuser.
- Stainless steel external hardware.
- Custom MCPCB utilized to maximize heat dissipation and promote a long LED life.
- IESNA Type II light distribution.
- IESNA Type V light distribution.
- Input voltage: 120-277V (50 / 60 Hz), integral 0-10 V dimming driver.
- Integral surge protector can withstand up to 10 kV transient line surge.
- Pre-wired factory sealed cable for external electrical connection included.

- Consult factory for dimming options, marine-grade, custom finishes (please specify RAL color), and non-cataloged CCT (Kelvin) options including static colors.
- Consult factory for custom pre-wired factory sealed cable length options.
- Consult factory for pole information.
- Consult factory for wall bracket accessory, multi-head pole top mounting, and other custom options.
- Product meets Buy American Act requirements within ARRA.
- 5-year warranty.
- Marine Grade finish.
- Suitable for Natatorium applications.



FINISHES

- BK-81 / Black / Textured
- AN-96 / Iron gray / Textured
- GR-94 / Aluminum metallic / Textured
- WH-87 / White / Textured
- RB-10 / Iron rust / Textured



Lumen Output	3K	4K
Hedo+FT T2 6W	632	677
Hedo+FT T2 19W	2109	2258
Hedo+FT T2 27W	2945	3176
Hedo+FT T2 34W	3690	3971
Hedo+FT T2 40W	4291	4653
Hedo+FT T5 8W	890	936
Hedo+FT T5 18W	2077	2185
Hedo+FT T5 25W	2879	3024
Hedo+FT T5 25W	4132	4349
Hedo+FT T5 25W	4924	5189
Hedo+FT T5 25W	5319	5605



Scan here
for installation
instructions

Order Guide - Hedo+ FT



Order code example

HFT- 27-T2-AM-3K-120-NA

HFT-

Wattage	Optics	Finish	Kelvin	Voltage	Controls	Accessories
<p>---T2---</p> <p>6 6 watt (T2 min)</p> <p>19 19 watt</p> <p>27 27 watt</p> <p>34 34 watt</p> <p>40 40 watt (T2 max)</p> <p>XX Specify wattage must be below max</p>	<p>T2 Type 2</p> <p>T5 Type 5</p>	<p>AM Aluminum Metallic</p> <p>IG Iron Gray</p> <p>IR Iron Rust</p> <p>BK Textured Black</p> <p>WH Textured White</p> <p>CC Custom Color</p>	<p>3K 3000K</p> <p>4K 4000K</p>	<p>UNV 120-277V</p>	<p>NA Non Dimming</p> <p>0-10V 0-10V Dimming</p> <p>ELV ELV Dimming</p>	<p>4"Adaptor 4 Inch pole adaptor</p> <p>GFCI Pole mounted GFCI</p> <p>BOL Bollard 54"</p> <p>BABAA Build America Buy America Act compliant</p>
<p>---T5---</p> <p>8 8 watt (min)</p> <p>18 18 watt</p> <p>25 25 watt</p> <p>36 36 watt</p> <p>43 43 watt</p> <p>50 50 watt (max)</p> <p>80 80W 9000lm/4K (MOQ 15 Pieces T5 Only)</p> <p>XX Specify wattage must be below max</p>						<p>Poles available as an accessory (ordered separately) see below for details</p>

80 CRI STANDARD - OTHER OPTIONS AVAILABLE

Performance in Lighting reserves the right to make all necessary changes without prior notice.

Performance in Lighting - 2621 Keys Pointe - Conyers, Georgia 30013 - USA - voice 770.822.2115 - info.usa@pil.lighting
www.performanceinlighting.com

Revision 09
06/24

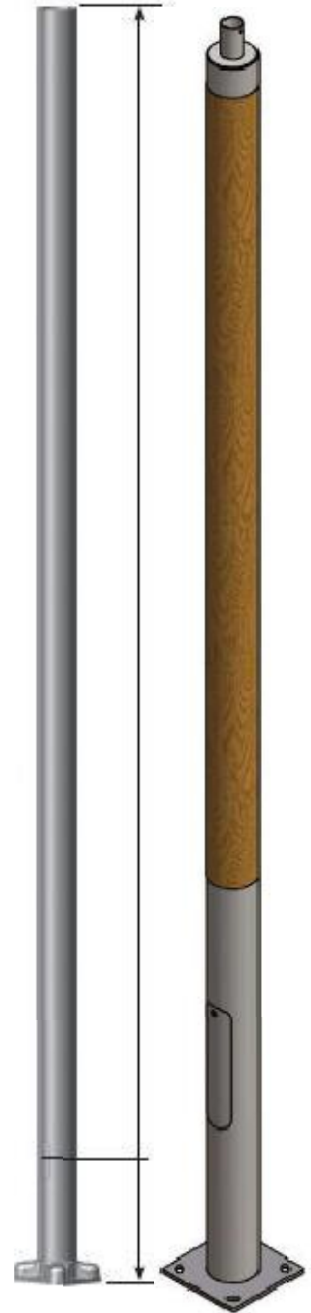
OPTIONAL ACCESSORIES (ordered separately)

POLES FOR HEDO+FT

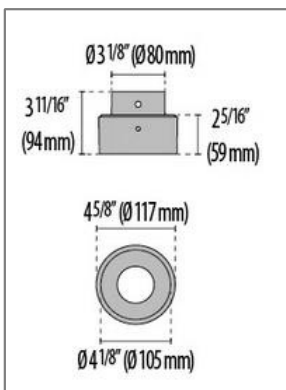
When ordering, please specify quantity of fixtures per pole as well as installation location (city & state)

Order code example: 714 16 30 4

Material	Height (ft)	Pole Diameter (in)	Custom Options (blank is standard)	Finish (additional characters may follow for factory information)
714 Aluminum*	08 8' tall	30 Ø3.0"	DBx Direct Burial** (x = depth below grade, measured in feet)	1 Aluminum Metallic
715 Steel*	10 10' tall	40 Ø4.0" (adaptor required*)		2 Black
716 Wood*	12 12' tall		GFCI integrated GFCI outlet**	3 Iron Gray
	14 14' tall			4 Iron Rust
	20 20' tall			5 White
	40 40' tall			6 Custom Color (specify RAL#)
*Based on EPA and wind loads, pole may need to be tapered or require a tenon.	Custom heights available, contact factor for details. Some restrictions apply for wood poles.			W1 Wood - Caramel - smooth
			**some options not available with wood poles - contact factory for details.	W12 Wood - Vanilla - brushed
				For more, see below.

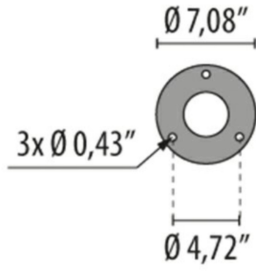


*For Ø4" poles, an adaptor is required: 3111179

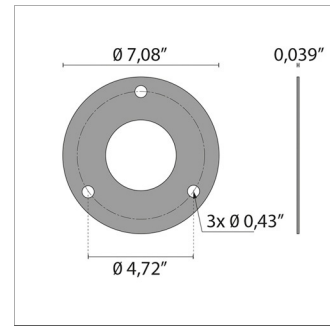


Base cover shape and bolt circle diameter (BCD) will vary based on pole size and vendor. Contact factory for details related to your project.

WOOD GRAIN FINISH OPTIONS:			
W1	CARAMEL	W11	SLATE
W2	VANILLA	W12	CINNAMON
W3	COCOA	W13	TOPAZ
W4	SAFFRON	W14	ONYX
W5	NUTMEG	W15	
W6		W16	
W7		W17	
W8		W18	
W9		W19	



TEMPLATE/FIXING PLATE



9395