

# INDEX+



Pathway bollard series. Fixtures consist of:

- Multi-step powder-coat painting process, optimized against UV rays and corrosion.
- Copper-free (<1%) precision die-cast aluminum and top cap.
- Copper-free (<1%) aluminum extruded post.
- Clear UV-stabilized, high-impact resistant diffuser.
- Custom molded, anti-aging gasket(s).
- Custom MCPCB utilized to maximize heat dissipation and promote long LED life.
- High-transparency polycarbonate optics for optimized light transmission.
- Type V light distribution standard. House side shield options available to limit light output to 90°, 180° & 270°.

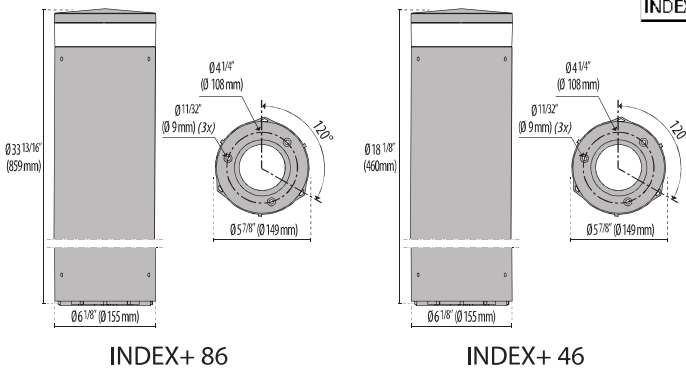
- Input voltage: 120-277 V (50 / 60 Hz), integral 0-10 V dimming driver.
- The luminaire may be configured with numerous options and multiple standard finishes. Not all options are available in all configurations. Consult factory for more information about specification sheet details to build your light.
- Anchor bolts available for bollards (ordered separately).
- Product meets Buy American Act (BAA) requirements within ARRA.
- 5-year warranty.
- Patent optical system IN SIDEIS®



## FINISHES

- AN-96 / Iron gray / Textured
- GR-94 / Aluminum metallic / Textured
- WH-87 / White / Textured
- BK-81 / Black / Textured
- RB-10 / Iron rust / Textured

Lumen Output	2700k	3000k	3500k	4000k	5000K	5700K	6500K
INDEX+ 360° 18W (T5 STANDARD)	1961	2049	2063	2120	2120	2091	2063
INDEX+ 270° 13W	1471	1537	1547	1590	1590	1569	1547
INDEX+ 180° 9W	981	1025	1031	1060	1060	1046	1031
INDEX+ 90° 5W	490	512	516	530	530	523	516



Scan here for  
installation instructions

# Order Guide – INDEX+



Order code example: INDEX+-18-13W-4K-BK-UNV

INDEX+ INDEX+	Bollard Height	Distribution	Wattage	CCT	Finish	Voltage	Controls	Accessories
	18 18 inch*	360 360° 18W MAX (standard)	5W 5 watt	27K 2700 Kelvin	AM Aluminum Metallic	UNV 120-277V*	NA Non-Dim	SB Square base 07967
	33 33 inch*	270 270° 13W MAX	9W 9 watt	3K 3000 Kelvin*	IG Iron Gray*	120V 120V only	0-10V 0-10V Dim*	BABAA Build America Buy America Act compliant
	XX specify height min 12" max 96"	180 180° 9W MAX	13W 13 watt	35K 3500 Kelvin	IR Iron Rust		ELV ELV Dim 120v ONLY	
		90 90° 5W MAX	18W 18 watt MAX	4K 4000 Kelvin*	BK Textured Black*			
				5K 5000 Kelvin	WH Textured White			
					CC Custom Color			
					WG Wood Grain Finish *See below for details			
		Base Details on following page						Base Details on following page

\*STANDARD OPTION, SHORTER LEAD TIME, NO MOQ\*  
 TEMPLATE AND ANCHOR BOLTS INCLUDED WITH FIXTURE  
 80 CRI STANDARD - OTHER OPTIONS AVAILABLE

## OPTIONAL ACCESSORIES

DESCRIPTION	FINISH	PART NUMBER
<b>INDEX+</b>		
Concrete mounting adaptor with stainless steel plate and galvanised steel rods		<b>14049320</b>
AISI 316 stainless steel floor installation base		<b>07966</b>
Square 11.14" - AISI 316 stainless steel floor installation base		<b>07967</b>



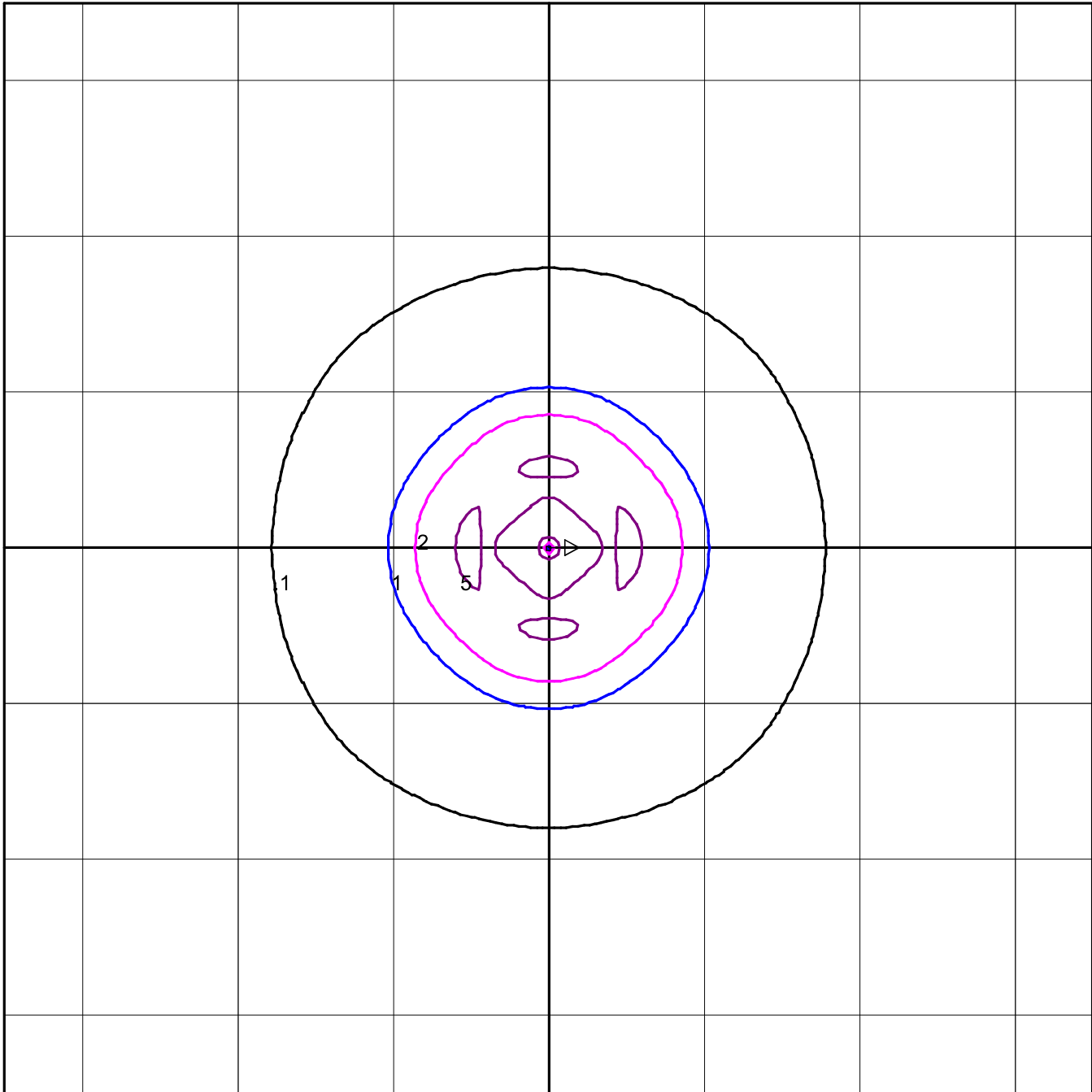
14049320



07966



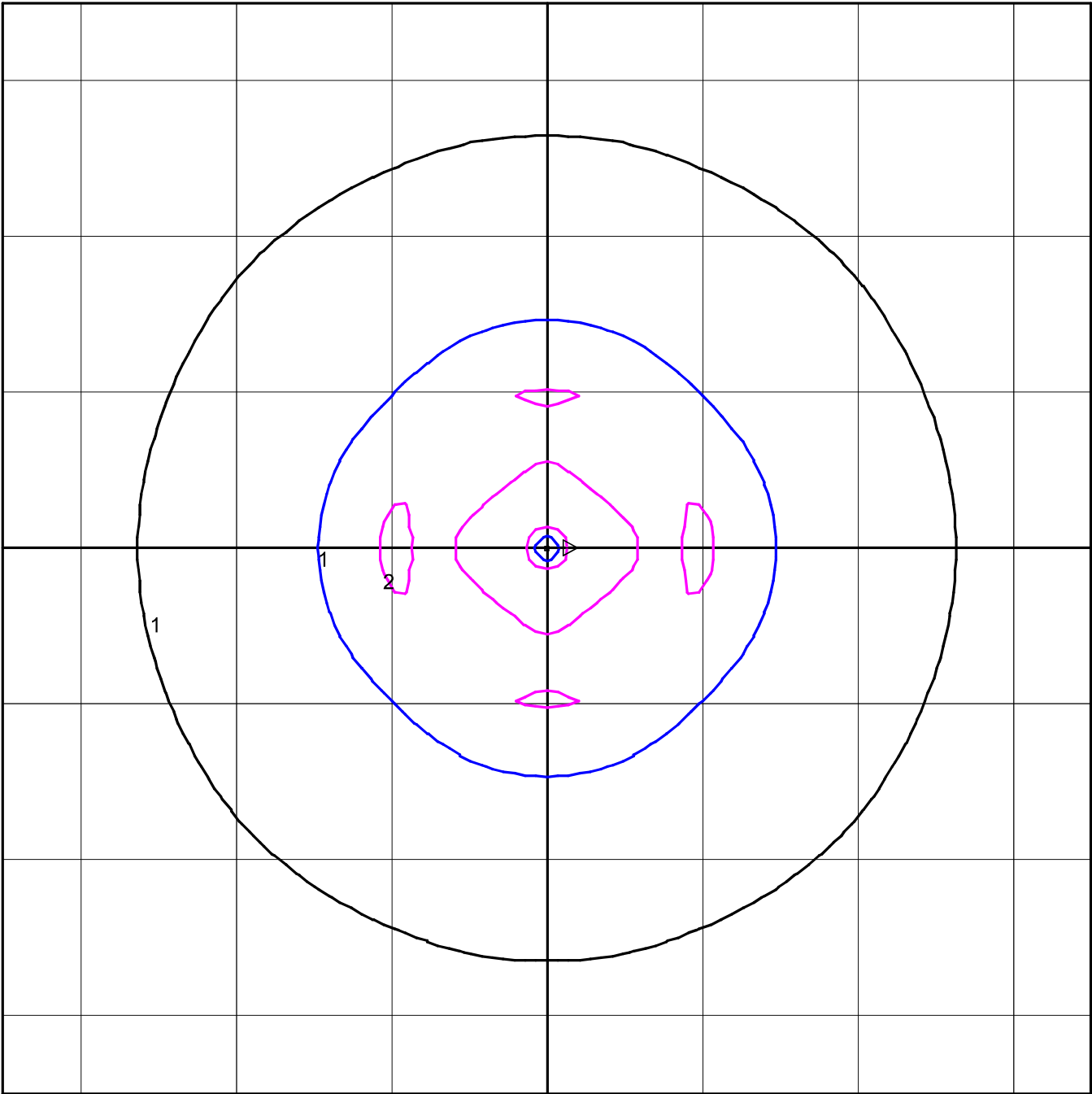
07967



Performance iN Lighting  
074151  
INDEX+ 46 13W 830 C-EW 0-10V - Black  
LED

Horizontal Footcandles  
Scale: 1 Inch = 10 Ft.  
Light Loss Factor = 0.90  
Lumens Per Lamp = 1547.08  
Total Lamp Lumens = 1547.08  
Mounting Height = 1.50 Ft  
Maximum Calculated Value = 7.56 Fc  
Arrangement: Single

REVISION 08  
07/24



Performance iN Lighting  
074167  
INDEX+ 86 17W 830 C-EW 0-10V - Black  
LED

Horizontal Footcandles  
Scale: 1 Inch = 10 Ft.  
Light Loss Factor = 0.90  
Lumens Per Lamp = 2048.57  
Total Lamp Lumens = 2048.57  
Mounting Height = 2.80 Ft  
Maximum Calculated Value = 2.87 Fc  
Arrangement: Single

REVISION 08  
07/24



# WOOD GRAIN FINISH OPTIONS

We offer 13 different wood grain patterns that can be applied to most products either as an accent panel or the full fixture.

Custom graphics and logos are also available.

Minimum quantities may apply.

Contact factory with any questions.  
770-822-2115 or [Sales.USA@PIL.Lighting](mailto:Sales.USA@PIL.Lighting)

WGF01



WGF02





WGF03



WGF04



WGF05



WGF06





WGF07



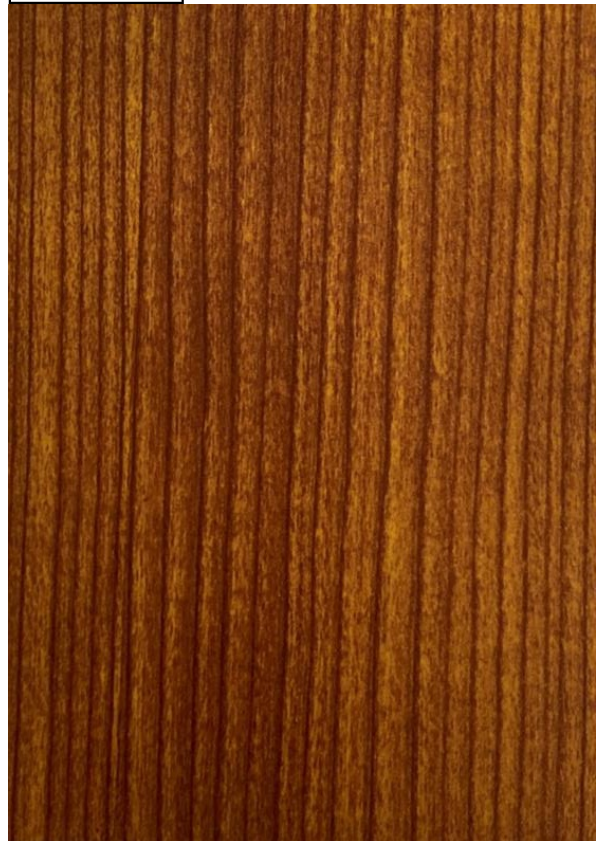
WGF08



WGF09



WGF10

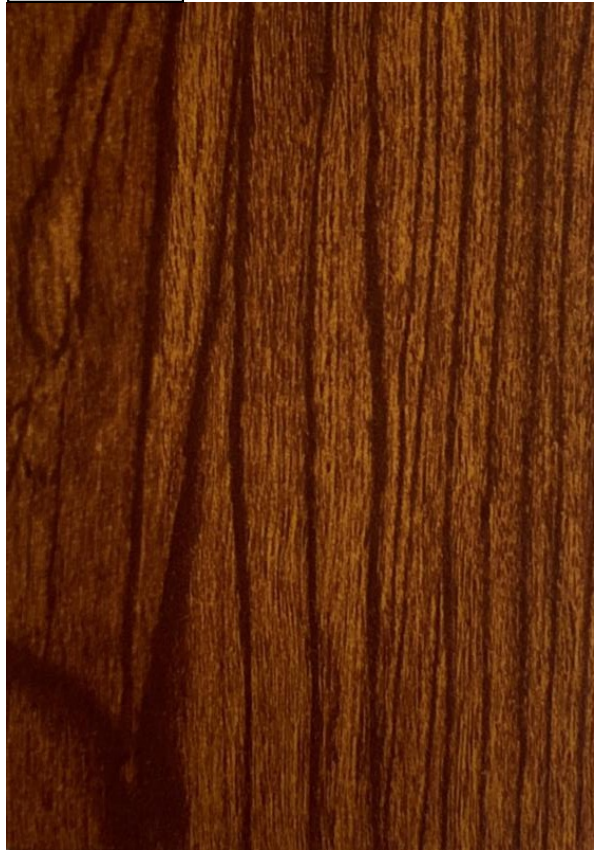




WGF11



WGF12



WGF13



(CUSTOM)

